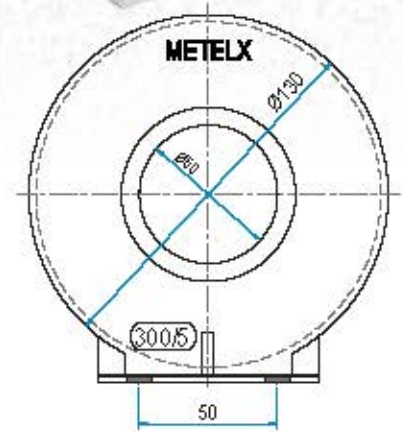
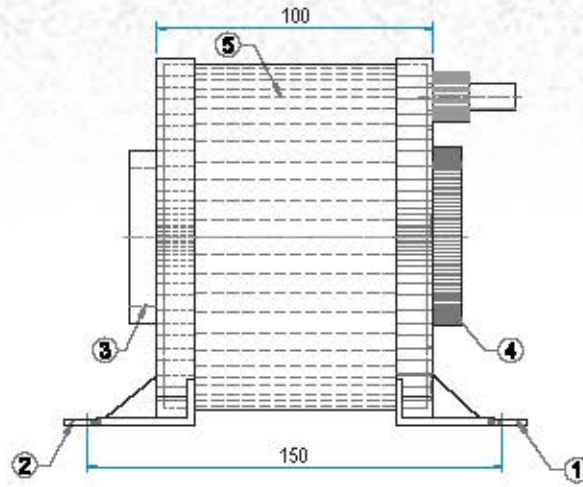
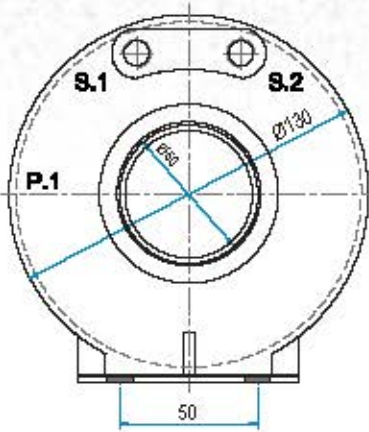


LVW-300

TECHNICAL DATA			Product Code LVW-300
Ratio	Class	VA	
300/5 A	0.5	5	
Specification	D DS:80-2007, IEC 61869		



LVW-400

TECHNICAL DATA			Product Code LVW-400
Ratio	Class	VA	
400/5 A	0.5	5	
Specification	D DS:80-2007, IEC 61869		

